

Selection of LOUDSPEAKERS



Concealed/ **5W / 8Ω**

mat natural anodized
aluminium front panel
(perforated), 5 m cable

Part no. 40.006.100



Concealed/ **5W / 8Ω**

mat natural anodized
aluminium front panel
(slotted), 5 m cable

Part no. 40.006.101

Installation - *concealed*:

The orange box is put in plaster (cutout: 150 x 75 x 55 mm).

The front panel with the loudspeaker is inserted into the box and fixed to it by 2 screws



Flush-mounted **5W / 8Ω**

mat natural anodized
aluminium front panel
(perforated), 5 m cable

Part no. 40.006.102



Flush-mounted **5W / 8Ω**

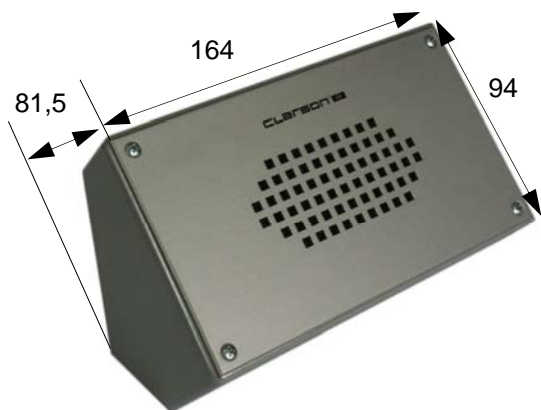
mat natural anodized
aluminium front panel
(slotted), 5 m cable

Part no. 40.006.103

Installation - *flush-mounted*:

The orange box is inserted for instance into a table board or metal housing (cutout 136 x 68 mm).

The loudspeaker panel is fitted to the box via two threaded pins and fixed to the table board by 4 screws.



Surface-mounted 5W / 8Ω

mat natural anodized aluminium front panel (perforated), brushed stainless steel case, 5 m cable

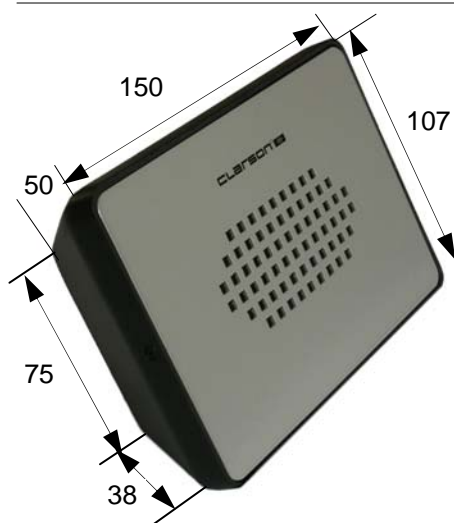
Part no. 40.006.106



Surface-mounted 5W / 8Ω

mat natural anodized aluminium front panel (slotted), brushed stainless steel case 5 m cable

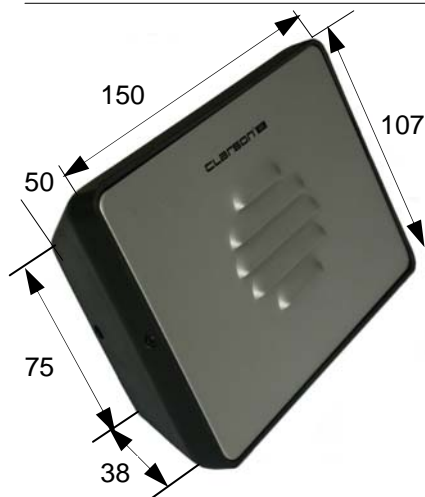
Part no. 40.006.107



Surface-mounted 5W / 8Ω

mat natural anodized aluminium front panel (perforated), RAL 9006 black plastic case 5 m cable

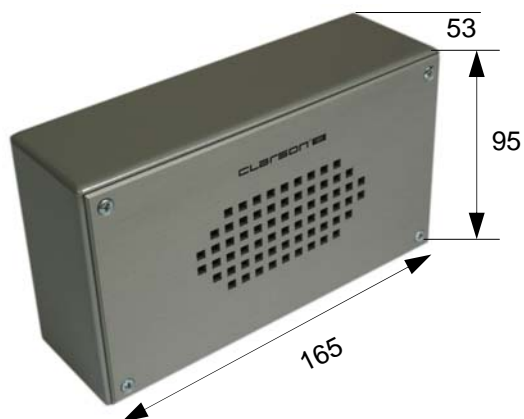
Part no. 40.006.108



Surface-mounted 5W / 8Ω

mat natural anodized aluminium front panel (slotted), RAL 9006 black plastic case 5 m cable

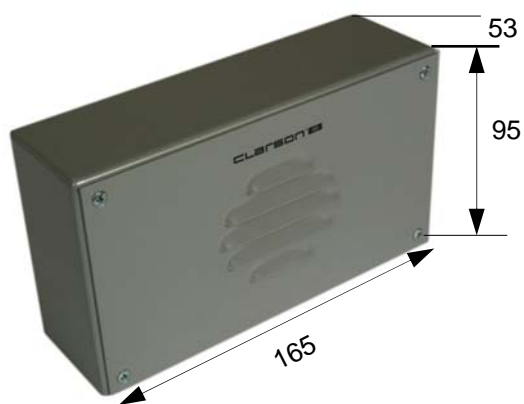
Part no. 40.006.109



Surface-mounted 5W / 8Ω

mat natural anodized alu
front panel (perforated)
brushed stainless steel case,
5 m cable

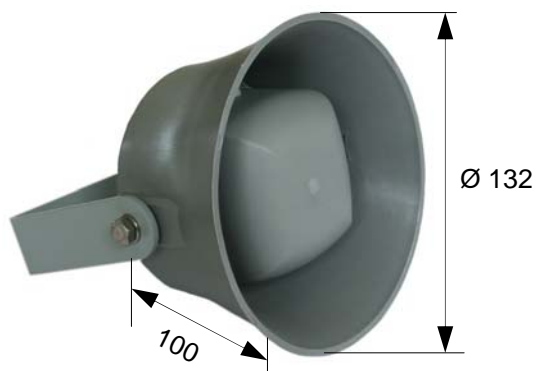
Part no. 40.006.104



Surface-mounted 5W / 8Ω

mat natural anodized
alu front panel (slotted)
brushed stainless steel case
5 m cable

Part no. 40.006.105

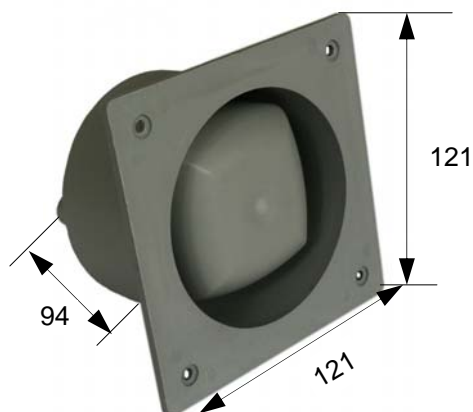


Pressure chamber
loudspeaker

surface-mounted 6W / 20Ω

IP 55 - RAL 7037
5 m cable

Part no. 40.006.113

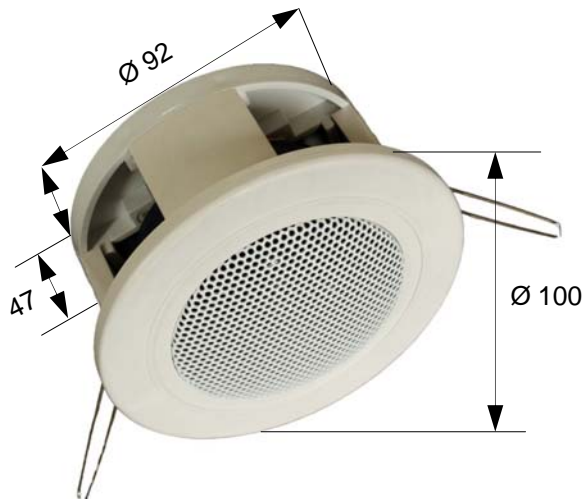


Pressure chamber
loudspeaker

flush-mounted 6W / 20Ω

IP 55 - RAL 7037
5 m cable

Part no. 40.006.114

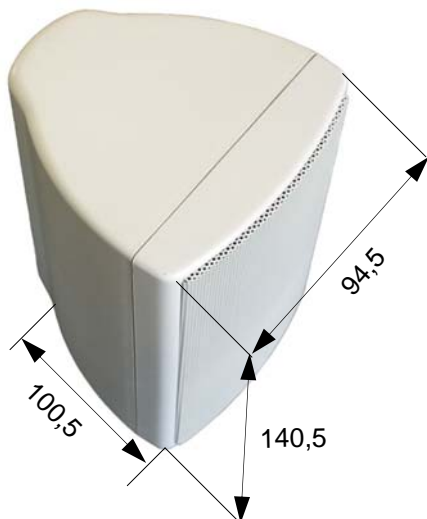


Flush-mounted
ceiling loudspeaker

6W / 20Ω

with mounting ring and
perforated alu grill
RAL 9016, 5 m cable

Part no. 40.006.110

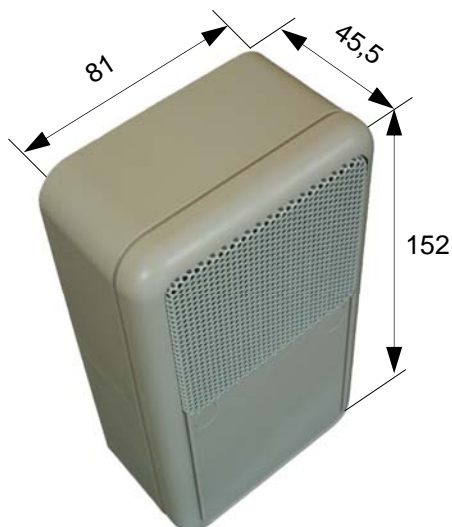


Wall or ceiling-
mounted box

10W / 8Ω

metal grill, plastic housing
with mounting brackets
RAL 9003, 5 m cable

Part no. 40.006.111



Surface-mounted
loudspeaker

6W / 20Ω

plastic housing, perforated
metal grill, RAL 9016
5 m cable

Part no. 40.006.112